



incit™ 5-slider

your lighting rep has
recommended the **incit™**
indirect pendant for your project
Let's take a quick look:

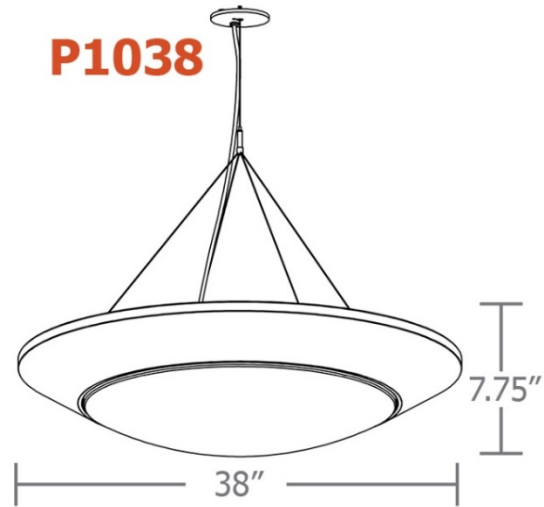


sizes and lumens

P1026



P1038



- P1026 (26") / 1690 – 6701 lm
- P1038 (38") / 3385 – 13165 lm



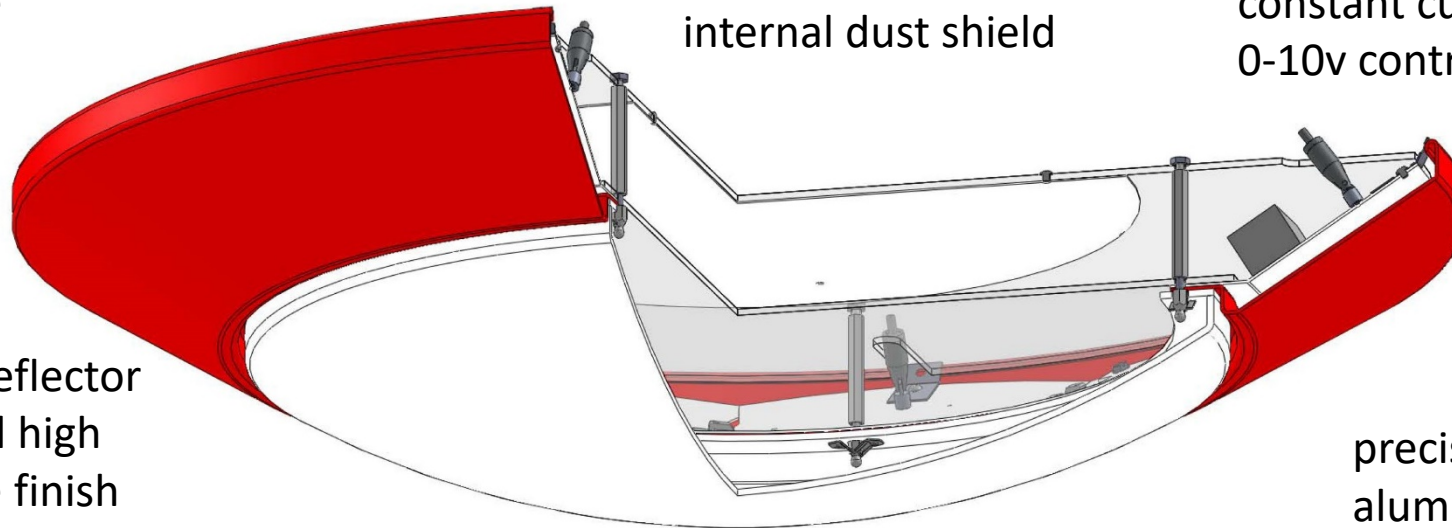
construction

5" dia. spun steel mounting canopy with sloped ceiling adapter, single stainless steel cable connects to collector branching off into four, field-adjustable mounting cables for exact AFF mounting height

indirect light distribution

metal core LED boards mechanically held in place for easy maintenance

integral, programmable drivers, constant current, field maintainable, 0-10v controllable to 1% dimming.



segmented aluminum reflector w/ powder coat painted high reflectance matte white finish

precision CNC spun .063" aluminum housing w/rolled top edge for added strength

aluminum center disc reflector to gently illuminate the .125" virgin matte white acrylic bottom dome/diffuser

no visible mounting hardware

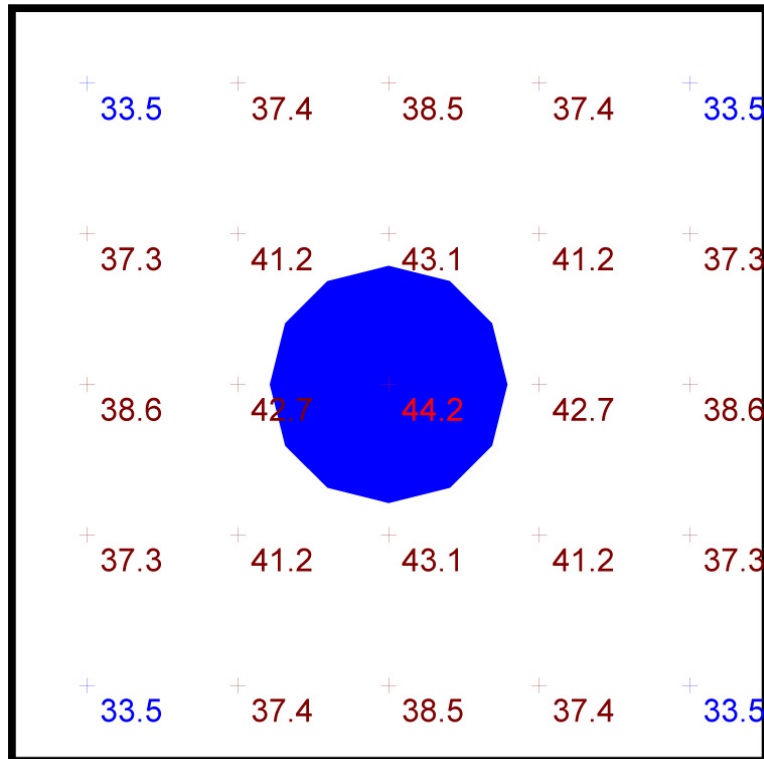
21 standard powder coat painted finishes + custom RAL colors



performance

Statistics

Description	Symbol	Avg	Max	Min	Max/Min	Avg/Min
incit	+	38.7 fc	44.2 fc	33.5 fc	1.3:1	1.2:1



- 10' x 10' x 10'H space
- 80/50/20 reflectances
- bottom of fixture at 8' aff
- FC readings at 2.5' aff
- layout conducted using P1038 HI lumen package (13165 delivered lumens)





www.impacttg.com

- spec sheet and color chart
- photometric files and BIM models
- built to order in Saint Louis, MO, USA
- 4-week lead time

incit™ 5-slider

